

## General Introduction

The SDVR series mobile digital video recorder is a compact, full-featured recording system that uses a SD card as a storage device. The recorder unit and associated accessories are specifically designed for operation in a mobile environment.

The SDVR system, used in conjunction with the cameras, records up to four channels of full-motion video and audio data to a Class 4 (minimum) SD card. The firmware-driven menu system provides a simple method for configuring the unit's operation as well as searching for and viewing previously recorded AV records.



## Key Features

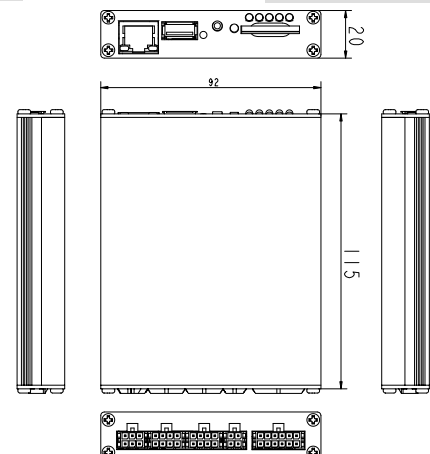
- Embedded operating system, assuring reliability and system integrity.
- Records up to four channels of full-motion color video with corresponding audio tracks.
- Power, AV input and output cables.
- H.264 High Profile video compression.
- Lockable security enclosure.
- Removable SD card, Class 4, minimum (customer supplied).
- Front panel USB2 port for recording to a flash card as an optional storage device.
- Ignition sense that provides DVR power-on in recording mode when the bus is started, power-off when the bus is shut-down with operator-selected delay times.



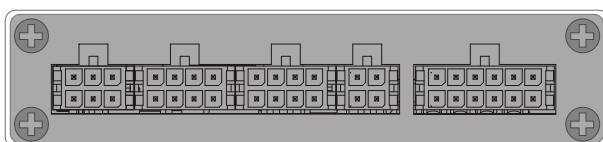
## Front Panel



## Dimension (mm)



## Back Panel

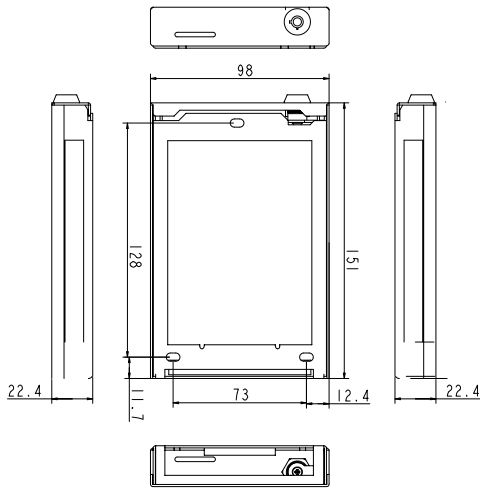


**Tamperproof Case**

**Included Items**



- DVR
- Tamper-proof and lockable security enclosure
- Panel lock with (2) keys for locking the security enclosure
- Power, AV input and output cable
- Sensor Cable
- Wireless remote controller
- Power input 2 amp fuses (2)
- Online / Offling Viewing Software



**Optional Equipment**

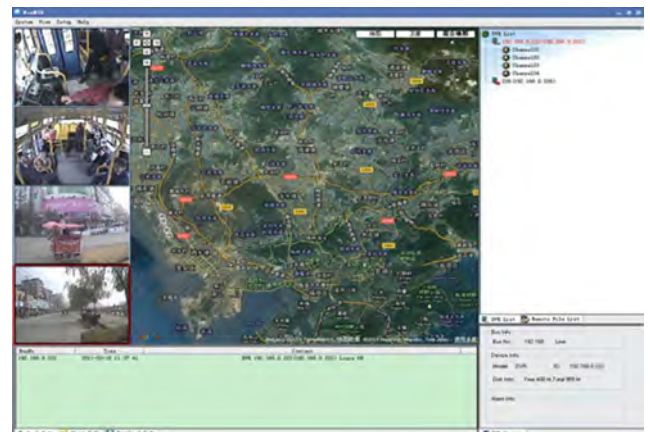
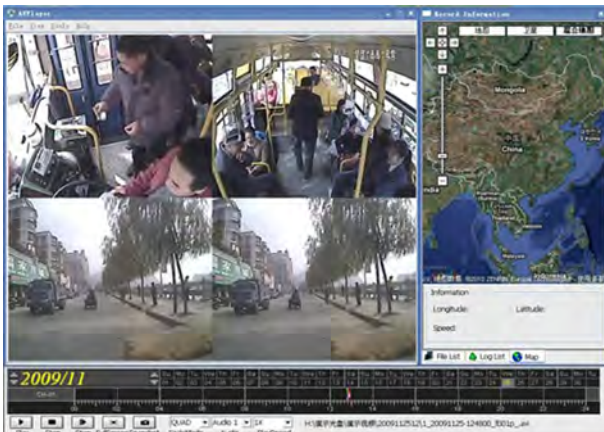
- GPS Receiver
- LANC Control
- In Car Camera
- IR Extension Cable
- SD Card
- AV Extension Cable



**Viewing Software**

View audio, video, location, speed, and route during playback

Live view, files download, set DVR remotely, playback files remotely, and snapshot



## Specifications

	ITEM	SDVR001	SDVR002	SDVR004
<b>VIDEO</b>	<b>VIDEO INPUT</b>	1 channel	2 channels	4 channels
	<b>VIDEO OUTPUT</b>	1 channel, 1.0V, p-p, 75Ω, BNC		
	<b>VIDEO FORMAT</b>	Support PAL/NTSC		
	<b>VIDEO COMPRESSION</b>	H.264 High Profile		
	<b>RECORD RESOLUTION</b>	720x576(PAL)/ 720x480(NTSC)	1280x512(PAL)/ 1248x416(NTSC)	1280x1024(PAL)/ 1248x832(NTSC)
	<b>FRAME RATE</b>	25fps(PAL), 30fps(NTSC)	50fps(PAL), 60fps(NTSC)	100fps(PAL), 120fps(NTSC)
	<b>VIDEO BITRATE</b>	660Kbps ~ 1.5Mbps, 4 level video quality	1.32Mbps ~ 3Mbps, 4 level video quality	1.98Mbps ~ 4.5Mbps, 4 level video quality
<b>AUDIO</b>	<b>AUDIO INPUT</b>	1 channel	2 channels	4 channels
	<b>AUDIO INPUT FORMAT</b>	20KΩ, RCA		
	<b>AUDIO OUTPUT</b>	1 channel, 500Ω, RCA		
	<b>AUDIO LEVEL</b>	1V ~ 2V, p-p		
	<b>AUDIO COMPRESSION</b>	G.711		
<b>STORAGE</b>	<b>STORAGE</b>	SD card, external USB device memory stick or hard drive		
	<b>FILE FORMAT</b>	AVI		
<b>INTERFACE</b>	<b>SENSORS</b>	1 speed sensor, 1 ignition sensor, 3 sensors for brake, return etc.		
	<b>COM PORT</b>	2 RS232 port, 1 RS485 port		
	<b>NETWORK</b>	RJ45, 10M/100M Ethernet		
	<b>GPS</b>	Support GPS receiver(optional), can record GPS information along with video and audio. GPS data format: NEMA0183, Baudrate: 4800bps		
<b>SOFTWARE</b>	<b>PLAYER</b>	Specially designed player for the DVR		
	<b>THIRD PARTY SOFTWARE</b>	Windows Media Player(Ver 11.0 or above), VLC Media Player(Ver1.0.0 or above)		
<b>POWER</b>	<b>INPUT POWER</b>	From +8VDC to +40VDC		
	<b>POWER OUTPUT</b>	DC, +12V/1.5A, +5V/1A		
	<b>POWER CONSUMPTION</b>	Working power: <5W, Stand by power: 0.1W (exclude camera, hard drive, monitor)		
<b>OTHER</b>	<b>WORKING TEMPERATURE</b>	From -10 Celsius degree ~ +60 Celsius degree		
	<b>SIZE</b>	12cm X 9cm X 2cm (4.75" x 3.5" x 0.8")		
	<b>WEIGHT</b>	0.3KGS		